

Jebao®

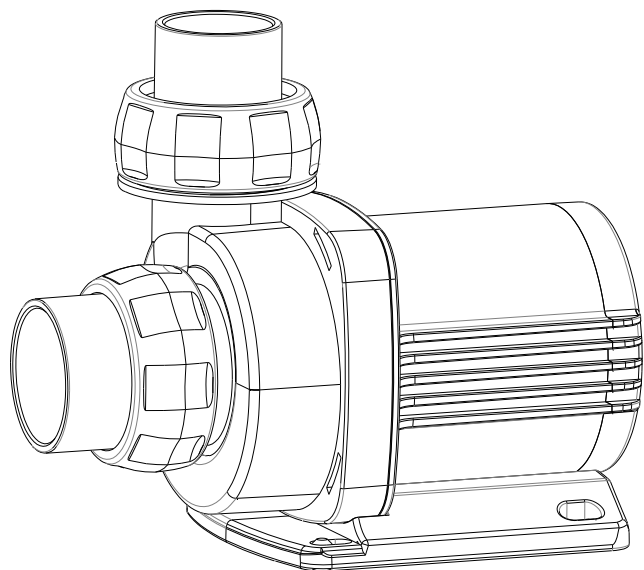
捷寶

DC 泵 使用说明书

DCP-2500, DCP-3000, DCP-4000, DCP-5000, DCP-6500, DCP-8000,
DCP-10000, DCP-15000, DCP-18000, DCP-20000

说明

捷宝水泵是经过测试和认证的,安全、性能良好的产品。为避免使用、维护方式不当而造成不必要伤害或损坏,请您使用前务必仔细阅读、理解相关说明事项,并保存好说明书供以后参考。



水泵特点

- 正弦波技术,超静音;
- 采用先进的变频技术的电机,高效节能,节省 50%,堵转保护功能;
- IC 电子检测,无水自动断电保护;
- 适用于海水、淡水使用,无铜元素;
- 采用耐磨陶瓷轴,寿命长。

控制盒功能及按键说明

一、LED 显示及控制按键说明:

正上方 LED 用于显示水泵工作功率、运行/停止状态及故障代码,控制按键为轻触按键。

二、运行功能说明:

控制器接上水泵通电后,控制器默认以上次设置档位运行,LED 显示运行功率,当按下喂食键后,水泵停止工作,LED 显示“FEED”(喂食时间十分钟)。再次按下喂食按键,水泵开始工作,LED 恢复显示运行功率,显示状态为“PXXX”,P 为 POWER(功率)简写。水泵工作功率分 71 档,按下加档键或减档键时 LED 切换为显示当前工作档位,可以根据需要设置工作功率。设置功率档时 LED 显示功率档位 Fxxx,档位从 30-100。当超过 1S 没有设置功率档位后,LED 自动切换为显示工作功率。“+”,“-”键长按可快速加减档位。

三、按键锁定功能:

在水泵运行状态,长按喂食键 3S,LED 闪烁三次,所有按键被锁定,再次长按喂食键 3S,LED 闪烁三次,按键解锁;

四、LED 屏幕保护模式:

在控制器通电状态,超过 25S 没有触摸控制键时,LED 以微亮状态显示,进入屏幕保护模式。当按下任意按键后,LED 恢复到正常亮度。

五、参数记忆功能:

控制器断电后当再次通电时,控制器默认以上次设置参数运行。

六、故障代码及说明:

当控制器工作异常时,LED 会显示故障代码并闪烁,代码说明如下:

Er01:工作电流异常; 检查水泵接线是否有短路或控制器异常。

Er02:控制器过热; 检查控制器是否处于暴晒或高温环境 .

Er03:水泵空转; 检查水泵是否在空转.

Er04:水泵卡转; 检查水泵是否有异物卡死或接线错误.

Er05:工作电压异常; 检查输入电源电压.

- 备注:户外使用泵,通过水泵电源的插座必须安装泄漏电流装制,且泄漏电流不得大于 30mA(泄漏开关用户自己安装).

性能参数表:

No:	Model No:	Voltage	Control box (W)	Consumption (W)	Flow rate (L/H)	Head Max(M)
1	DCP-2500	DC 24V	DCP-2500	23	2500	2.5
2	DCP-3000	DC 24V	DCP-3000	25	3000	3.0
3	DCP-4000	DC 24V	DCP-4000	32	4000	4.0
4	DCP-5000	DC 24V	DCP-5000	40	5000	4.0
5	DCP-6500	DC 24V	DCP-6500	55	6500	4.5
6	DCP-8000	DC 24V	DCP-8000	65	8000	5.2
7	DCP-10000	DC 24V	DCP-10000	80	10000	6.0
8	DCP-15000	DC 24V	DCP-15000	105	15500	7.0
9	DCP-18000	DC 36V	DCP-18000	130	18000	9
10	DCP-20000	DC 36V	DCP-20000	165	20000	9.5

警告:

- 请不要让水泵接入适配器输入电压以外的任何电源。
- 禁止将水泵运行于可燃性液体。
- 禁止用于 35 摄氏度以上的水中。
- 最大操作水深度不得超过 1.5 米。
- 最大扬程参数请见性能参数表。
- 避免触电,请不要把插头放在水中或其他液体中。
- 本产品不适合下列人使用(包括儿童及体弱、智商低,或缺乏经验和知识的人),除非在有保证他安全的人的监督下操作。
- 请监督好儿童,避免他们玩耍此产品。

警示

在操作水泵之前请断开电源。

请不要让水泵干转。

请不要只提电源线将水泵提起,以免水泵内接线断掉。

请不要将水泵运行于加热液体中;

水泵运行于干净水或海水中。

抽水时请将水泵泵房充满水,以便泵体得到最适当的冷却。

水泵不可以运行于游泳池内。

本产品具有无水自动断电保护功能:即当产品离水 2 分钟后自动断电停止运行。若要重新工作,需拔出插头再插入即可恢复工作。

作为潜水泵使用 (见图 1)

重要: 不要让水泵干转-这可能损坏电机。

1. 让水泵完全浸入水中。
2. 水平面要超过入水口 15cm,以免水泵抽入空气。
3. 防止淤泥进入网罩内,水泵放在淤泥上面,可以用石头垫住固定。
4. 水泵接口设计是标准的螺纹联接,可连接标准喷泉喷头,喷嘴,水管。
5. 水泵可以水平和垂直放置工作。
6. 水泵工作范围温度为 1-35 度之间。

作为陆地泵使用 (见图 2)

1. 水泵放在池塘边要低于池塘水平面,以便水能自己流入水泵内。
2. 去掉前网罩,按住水泵泵体把水管与水泵接好,如图 2, A 接进入管, B 接出水管,确保联接处不漏水。
3. 确保水泵和水管里面有水后再接通电源。
4. 防止水泵水管被堵塞,确保水管进水处有前置过滤装置。

操作

堵塞的进水盖将会大大降低水泵的功能。如果水泵用于不清洁的水面，请将水泵稍稍升高，减少脏物进入进水盖。

未放入水中时请不要干转，否则将会损坏水泵。通常的做法是，先将水泵置于水中，然后连接电源插座。初运行时，水泵可能不能抽水，那是因为泵体和水咀内有空气。请先不要担心。先将电源插头拔出，然后反复插入电源几次，水泵将很快正常运行。

安装图示 3:

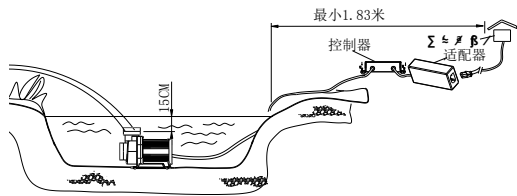


图 1

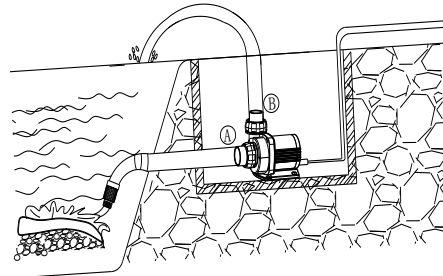


图 2

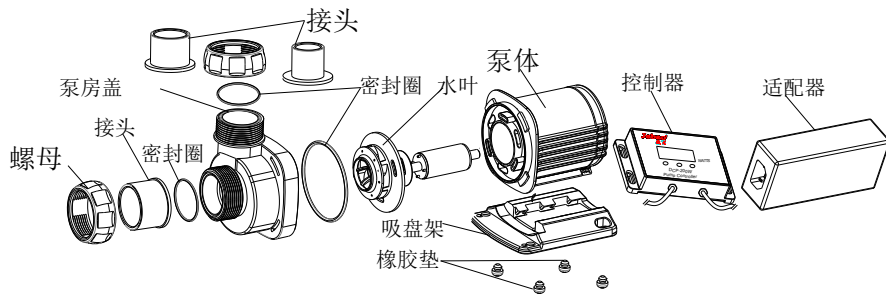


图 3

维修保养

清洗水泵时，用小刷子清洗或水流清洗里面的脏物。

若水泵不能正常运转，请按如下情况检查：

- 检查是否电路不通。请接另外一个电源插座，以确保水泵接通电源。注意，通常在操作之前请不要接通电源。
- 请检查水泵出水口和水管，是否有脏物堵塞。堵塞的海藻可用花园

水冲洗掉。

- 请检查进水口以确保进水口未被渣屑堵住。
- 检查水叶转子活动的内腔。转动水叶转子，确保转子未破裂或堵塞。
- 每月定期检查会增加水泵的使用寿命。

注意：

确保水泵的电源线低于电源插座而形成滴水环。这样会防止水流沿电源线流入电源插座内。



丢弃处理：

要按照国家法定的规定丢弃此设备。水泵要进行特殊处理。请向专业的销售商询问。

中山市捷宝电子电器有限公司
广东省中山市东升镇同茂工业区

电邮：info@jebao.com 网址：www.jebao.com
电话：+86-760-28136708/09/10 传真：+86-760-28136725

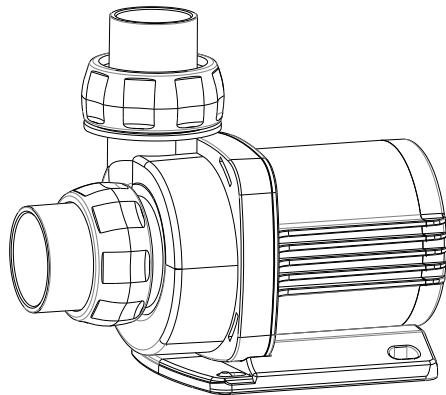


DC Pump OWNER'S MANUAL

DCP-2500, DCP-3000, DCP-4000, DCP-5000, DCP-6500, DCP-8000,
DCP-10000, DCP-15000, DCP-18000, DCP-20000

Introduction

The DCP pumps are carefully inspected and tested to ensure both safety and operating performance. However, failure to follow the instructions and warnings in this manual may result in pump's damage and/or serious injury. Be sure to read and save this manual for future reference.



Pump Features

- High performance with innovative motor, and energy saving up to 65%, super quiet operation.
- IC electronic detection, automatic power-off protection upon no water.
- No-copper element.
- Suitable for both marine and fresh water, Rust free.
- With anti-resistant ceramic shaft, Longer operation file.

Controller Features

- Adjustable the flow rate and head max.
- “Feed” Model, pause, timing, delay, restart function
- Memory function, ensure that the pump rework upon keeping the same parameter

Operating instructions

1. The pump must be connected with the controller and the 24V or 36V adaptor correctly before work
2. **Lock / unlock function:**
press the "+" or "-" button for three seconds until the LED light flash for two times, the controller locked; Similarly, press the "+" or "-" button for three seconds again, LED indicator light flashes for two times, the controller unlocked
3. "FEED" function: when the pump is working, press "FEED" button, pump stops working, the "10min" indicator lights up, the pump reworks automatically at previous level after 10 minutes. Or you can press the “FEED” button to make the pump rework.

Control and Panel Function

First, LED display and controller key Instructions

As indicated in able diagram LED indicates power work/stop and fault code, the panel are touched control

Seconds, operating instructions

After connected with pump, the control is set per last operation, panel is shown on LED, touch work /stop button, the pump will stop working, and OFF indicate in LED. Touch work/stop button again, the pump resume working, Led shows normal locking panel. PXXX is shown in LED, P is short for power, there are 71 settings for working panel, when touch slow/fast button, LED will show the instant working condition, you can set different power per your need. When sets “watts” button the Led display the “watts” button were “FXX, button from 30 to 100”, SP is Speed shortening. More than 1 S no setting “watts” button, the led auto change its display “watts” button.

Three, the key Lock Function

Turn on the power, press the "+" or "-" button for three seconds until the LED light flash for two times, the controller locked; Similarly, press the "+" or "-" button for three seconds again, LED indicator light flashes for two times, the controller unlocked

Four, The Led protected mode

Turn on the power , more than 25 seconds no touch control button, the LED to micro bright, the controller enter the screen saver mode; the led return to normal When press any button.

Five, Date memory function

Memory function, ensure that the pump rework upon keeping the same parameter.

Six, Fault code and description

The fault code abnormal and flashing when the controller abnormal work, the code explanation is as below:

Er01: Abnormal Working current; Check if the pump short of voltage or the controller broken

Er02: Controller overheating; Check whether the controller exposed to the sunshine or in high temperature environment

Er03: Pump idling; Check the pump work dry

Er04: The impeller stops running; Check if the pump short of voltage or the controller broken

Er05: Abnormal Working voltage. Check the input supplying voltage

●Note: for indoor use, the power socket must be installed with the leakage current protecting device, and the leakage current shall not exceed 30mA (please the consumer to install the leaking current protection device by themselves).

Performance Parameters Table

No:	Model No:	Voltage	Control box (W)	Consumption (W)	Flow rate (L/H)	HeadMax(M)
1	DCP-2500	DC24V	DCP-2500	23	2500	2.5
2	DCP-3000	DC24V	DCP-3000	25	3000	3.0
3	DCP-4000	DC24V	DCP-4000	32	4000	4.0
4	DCP-5000	DC24V	DCP-5000	40	5000	4.0
5	DCP-6500	DC24V	DCP-6500	55	6500	4.5
6	DCP-8000	DC24V	DCP-8000	65	8000	5.2
7	DCP-10000	DC24V	DCP-10000	80	10000	6.0
8	DCP-15000	DC24V	DCP-15000	105	15500	7.0
9	DCP-18000	DC36V	DCP-18000	130	18000	9
10	DCP-20000	DC36V	DCP-20000	165	20000	9.5

WARNING

- Do not connect to any other power supply over the rated voltage
- Do not put the pump in the flammable liquid.
- Do not use the pump in the water temperature above 35℃.
- Maximum water depth 1.5M
- Maximum head Max please see the parameter table.
- Do not immerse the plug into water or other liquid.
- This appliance is not allowed to use by persons (including children) with reduced physical, sensory or mental capabilities, or lack of experience and knowledge, unless they have been given supervision or instruction concerning use of the appliance by a person responsible for their safety.
- Children should be supervised to ensure that they do not play with the appliance.
- This appliance can be used by children aged from 8 years and above and persons with reduced physical, sensory or mental capabilities or lack of experience and knowledge if they have been given supervision or instruction concerning use of the appliance in a safe way and understand the hazards involved.

CAUTION

Always disconnect the pump from the power supply before cleaning, maintenance and handling.

Do not let the pump work dry.

Do not lift the pump by holding the power cord only

Do not use the pump in the heating liquid.

The pump suitable for both fresh water and sea water

The pump can used as submersible pump and used as non-submersible, pump house must be filled with water.

The pump can not run in the swimming pool.

Automatic shut off if no water for 2 minutes.

Pull the plug out, and re-insert for resuming work

Operation

A clogged or dirty intake screen will reduce the performance.

If the pump is used on a dirty surface, raise it slightly to reduce the amount of debris contacting the intake. If the flow is low, please adjust the regulator on the sealing cover.

Do not let the pump run in dry. The pump will be broken easily. Normally, put the pump into water, plug on. At the beginning, it probably can't pump water, because

there is air in the pump and the connector fitting. Don't worry. Please plug on and off for several times. it will work normally.

Used as submersible pumps (Figure 1)

IMPORTANT: Do not let the pump run dry – this could cause damage to the motor.

- Submerge the pumps completely in your pond so as to make the pump body fill with water.
- A water level of approx. 15 cm (6.5 in.) is required for submersible use in order to prevent the pump from taking in air.
- To prevent the filter becoming prematurely clogged, place the fountain pump above the mud in the pond!
- Install the enclosed filter sponge to prevent the fountain inlet from becoming clogged.
- Running in conjunction with fountain jets, the pump should be stationed firmly and horizontally (on a brick).
- The pump can be switched on by simply plugging it in and switched off by plugging off.

Used as non-submersible pumps (Figure 2)

- Position the pump lower than the water surface on the side of the pond so that the water can be drained to the pump because it is not self-priming.
- Remove the filter cover and connect suction hose (A: inlet) and pressure hose (B: outlet) from the pump. The connection should be waterproof.
- Fill the suction hose and pump with water before turning it on.
- To prevent the pump from becoming clogged, provide the suction hose with an adequate suction filter.
- Never let the pump run dry.

Installation diagram (Figure 3)

Figure 1

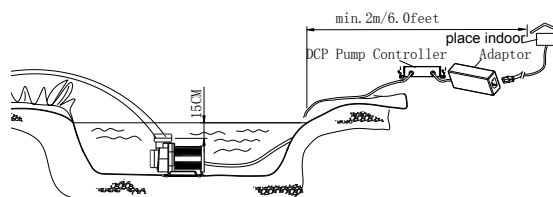


Figure 2

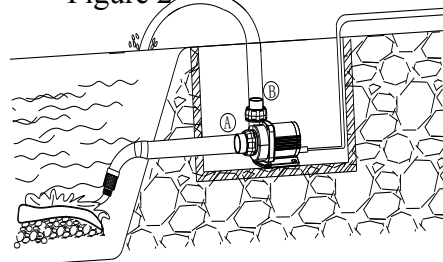
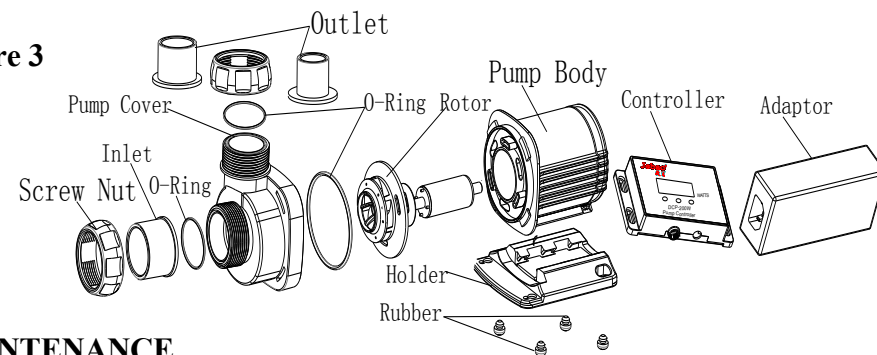


Figure 3



MAINTENANCE

To clean the pump, remove the back cover, sealing cover and the impeller. Use a small brush or stream of water to remove any debris.

If the pump not work, check as following:

- Check the circuit. Please try to plug on another power socket, to ensure the pump switched on with power. Note, please do not plug on before operation.
- Check the pump outlet and tube, if blocked by dirty. Algae may block them, up i can clean the algae using the pond water with a garden hose.
- Check the inlet to ensure not clogged by debris.
- Remove the pump inlet to access the impeller. Turn around the rotor to check if broken or jammed.
- Monthly maintenance will prolong your pump's life. Clean the rotor, remove the dirt. etc

NOTE: Ensure the electrical cord loops below the power socket like a “Drip Loop”. It will prevent the water from running around the cable into the power socket



DISPOSAL:

Do not dispose this product as unsorted municipal waste. Collection of such waste separately for special treatment is necessary. This product must not be disposed together with the domestic waste. This product has to be disposed at an authorized place for recycling of electrical and electronic appliances. By collecting and recycling waste, you help save natural resources, and make sure the product is disposed in an environmental friendly and healthy way.

Jebao Co.,Ltd

Tongmao Industrial Park, Dongsheng Town, Zhongshan, Guangdong. China.

Email: info@jebao.com

Website: www.jebao.com

Tel: +86-760-28136717/19/20

Fax: +86-760-28136725